



## ◆ Features:

- Built-in lens 165°
- Chain of 50 pcs.
- IP 68 waterproof
- 5 years warranty

## ◆ Usage:

- Letters of light
- Advertising boxes with a depth of 8-20 cm
- POS systems
- Backlighting of furniture

## ◆ Photos:

CE





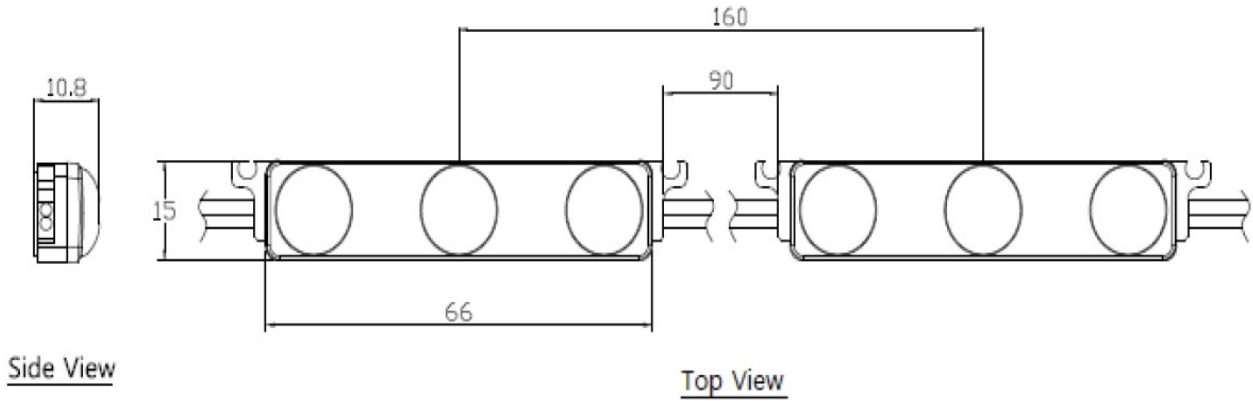
## MW-SAMSUNG-3W-LENS

Power	Rated voltage	12Vdc +/- 5%
	Power consumption	1.2W
	Current consumption of one module	0.098A
	Power consumption of chain	60W
LEDs	Dimensions of LEDs	2835
	Number of diodes in module	3
	Color of Light	W-white (6000-8000K)
	Flux	120lm
	Luminous efficacy	100lm/W
	Beam angle	165°
	Lifetime	50K hours
Connection	Soldering	Yes
	Screw and spring clamps	Yes
Wires	Wire length	90 mm
	Wires designation	White & red (+) White (-)
Properties	Protection	IP 68
	Working temperature	-30°C ... 70°C
Dimensions	Height, width, length	10,8 x 15 x 66 mm
Montage	Bonding	Yes
	Screwing	Yes
	Hole size	M3
Others	Housing material	ABS
	Number of modules per 1 m	6,41 pcs.
Packing	Chain	50 pcs. (7,8m)
	Bag	150 pcs.
	Box	1500 pcs.



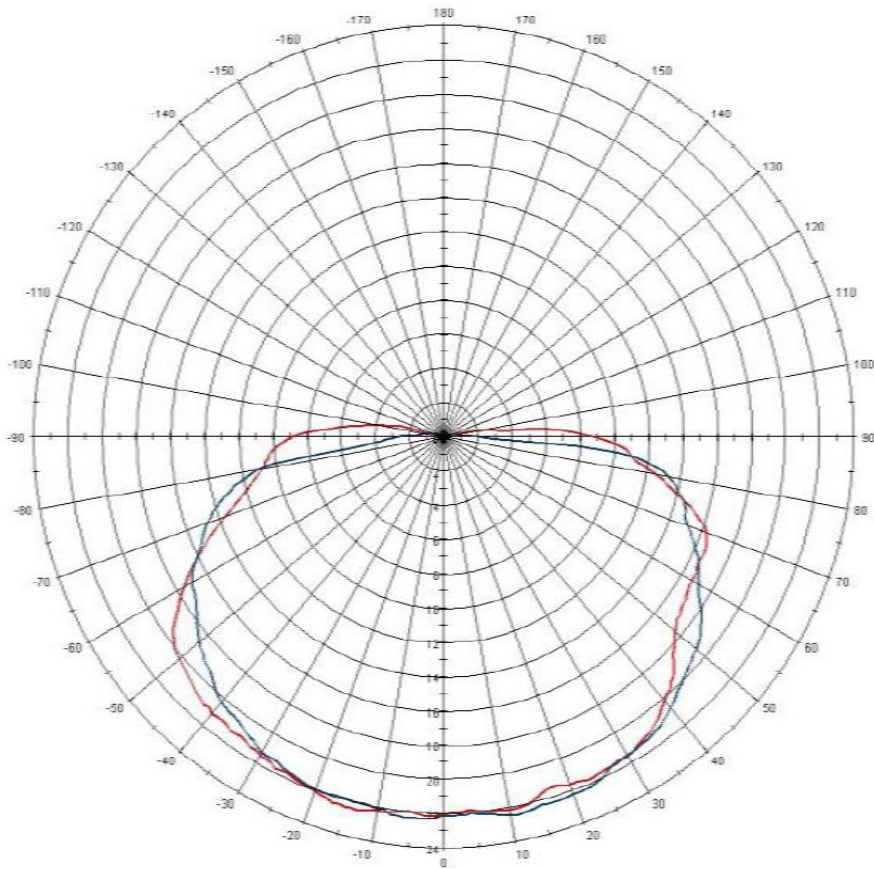
# MW-SAMSUNG-3W-LENS

## ◆ DIMENSIONS:



Dimensions: mm

## ◆ LIGHT DISTRIBUTION ANGLE





# MW-SAMSUNG-3W-LENS

## ◆ TABLE OF SELECTION OF MODULES FOR GPV POWER SUPPLIES

Power supply	GPV-12-12	GPV-18-12	GPV-20-12	GPV-35-12	GPV-60-12	GPV-75-12	GPV-100-12	GPV-150-12	GPV-200-12
Number of modules	10	15	20	30	50	60	83	100	160