

◆ Features:

- For small and slim 3D signage letters
- Effective lens 170x130deg (oval type)
- Chain 100pcs
- Waterproof IP 67, Injection molding
- Constant current drive (CC)
- Small dimension
- 5y warranty

◆ Applications:

- 3D letters in signage lighting
- backlighting 25-80mm

◆ Photo:

CE



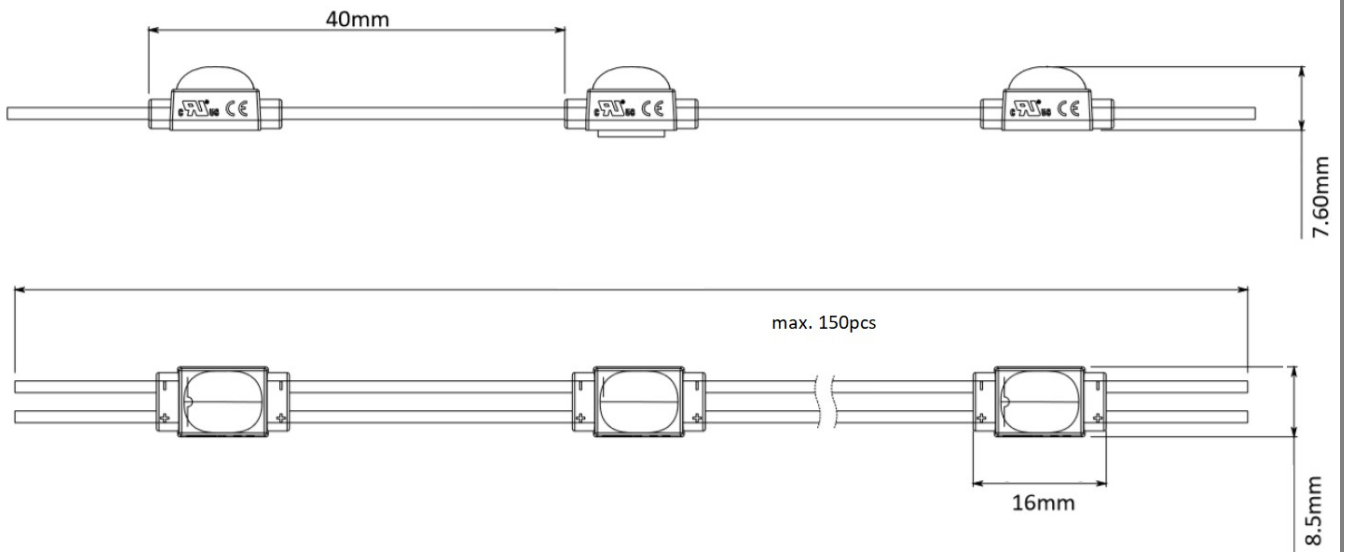


MINIOVAL-1W new generation LED module

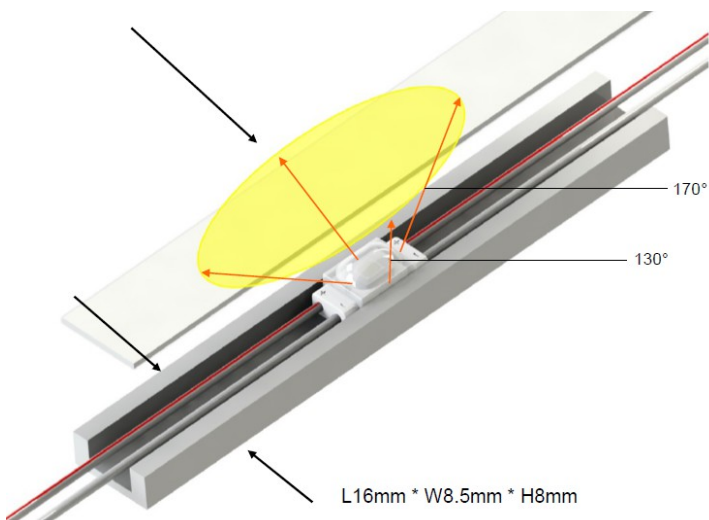
Supply	Rated voltage	12Vdc +/- 5%
	Power consumption per module	0.36W
	Current per 1 module	0.03A
	Chain power consumption	54W
Diodes	LED q-ty	1
	Colour temp.	W-white (5500-8000K) CW-cold white (8000-17000K)
	Flux	41Lm
	Flux density	113lm/W
	Lens	170x130° (PC)
	Lifetime	L70B50 > 50k hrs
Connection	Soldering	Yes
	Screw terminal	Yes
Wires	Wire lenght	24 mm
	Module center lenght	40 mm
	Wires	White-red(+) White (-)
Environment	IP protection	IP 67
	Temperature	Ambient: -25°C ... +55°C Storage: -40°C ... +65°C Max case temp: 80°C
Dimmension	Height, width, lenght	7,6 x 8,5 x 18 mm
Montage	Adhesive tape	yes
	Mounting screw	No
	Hole size	---
Other	Case material	ABS
	Q-ty per meter	25pcs
Packing	Chain	100pcs (4mb)
	Cartoon	6000szt
	Cartoon weight Cartoon dimmension	11 kg 52 x 37 x 26 cm 0,05m ³

◆ DIMMENSION

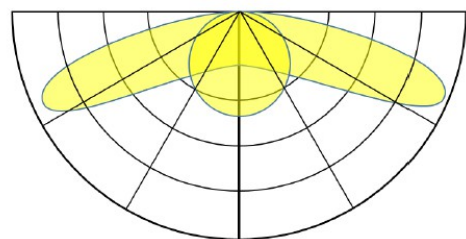
Unit: mm



◆ APPLICATION



◆ BEAM ANGLE



170° x 130°