

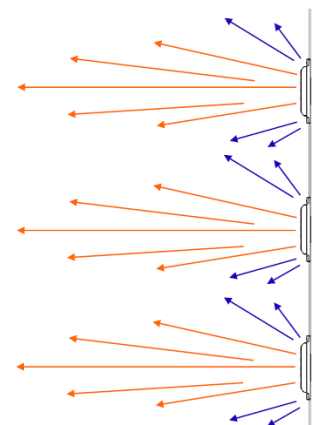
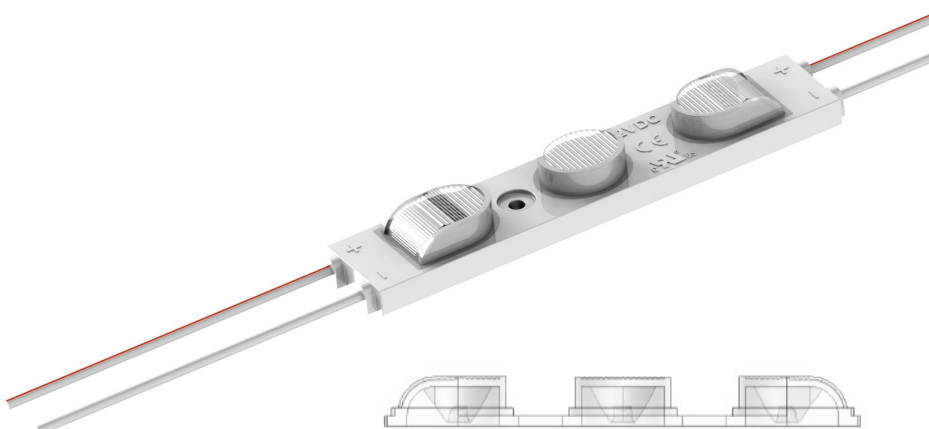
◆ **Features:**

- For 2-side lightboxes
- innovative optic design 11 x 40deg with arc lens
- Dark corners reducing
- Chain 40 pcs
- Waterproof IP 67, injection molding
- Constant current drive (CC)
- Phillips Lumileds LED chips
- 7y warranty time

◆ **Applications:**

- General signage
- One-side and two-side lightboxes min 60mm

◆ **Photo:**





BOXSide-OVAL-S-W new generation LED module

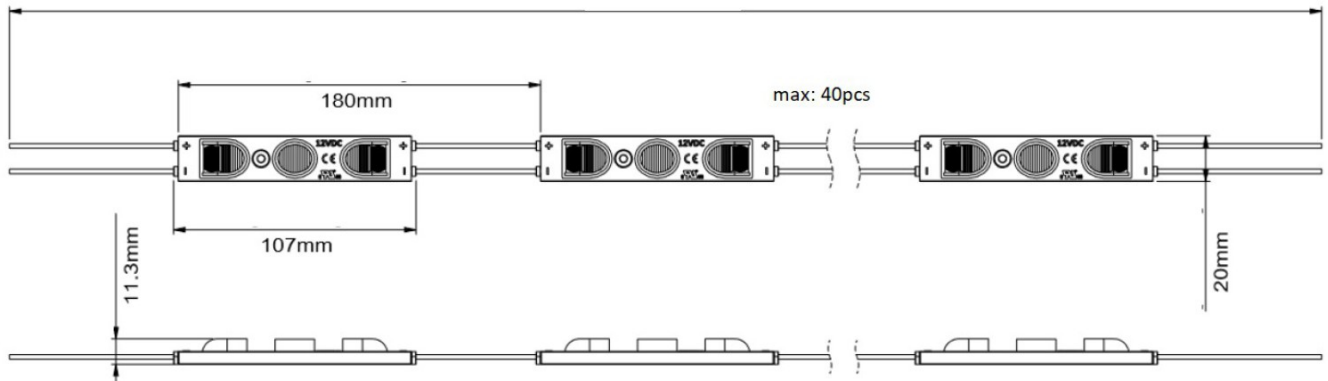
Supply	Rated voltage	12Vdc +/- 5%
	Power consumption per module	1,32W
	Current per 1 module	0.11A
	Chain power consumption	52,8W
Diodes	LED q-ty	3 (diodes by Phillips Lumileds)
	Colour temp.	W-white (5500-7000K) WW-warm white (3000-4000K)
	Flux	140 lm
	Flux density	106lm/W
	Lens	11 x 40° arc
	Lifetime	L70B50 > 70k hrs
Connection	Soldering	Yes
	Screw terminal	Yes
Wires	Wire lenght	73 mm
	Module center lenght	180 mm
	Wires	White-red (+) White (-)
Environment	IP protection	IP 67
	Temperature	Ambient: -25°C ... +55°C Storage: -40°C ... +65°C Max case temp.: 75°C
Dimmension	Height, width, lenght	11,3 x 20 x 107 mm
Montage	Adhesive tape	Tak
	Mounting screw	TAK
	Hole size	M3
Other	Case material	ABS
	Q-ty per meter	5szt
Packing	Chain	40pcs (7,2m)
	Cartoon box	560pcs (14 chains)



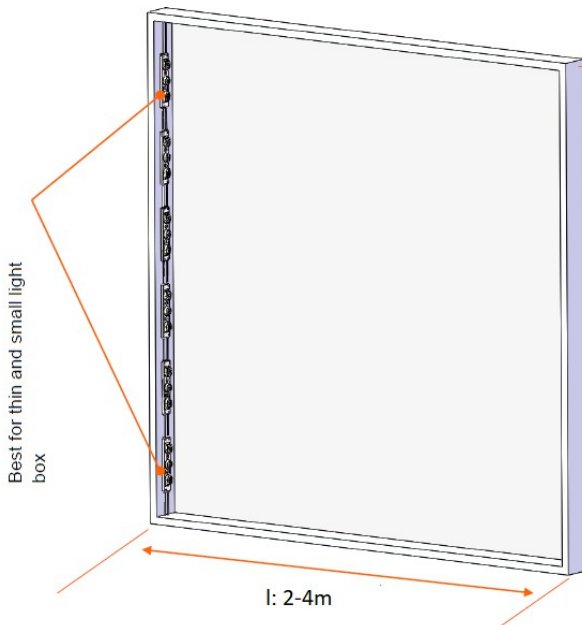
BOXSide-OVAL-S-W new generation LED module

DIMMENSIONS:

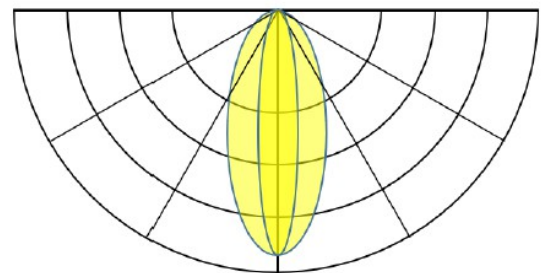
Unit: mm



◆ TYPICAL APPLICATION



◆ BEAM ANGLE



11° x 40°