

## ◆ Features:

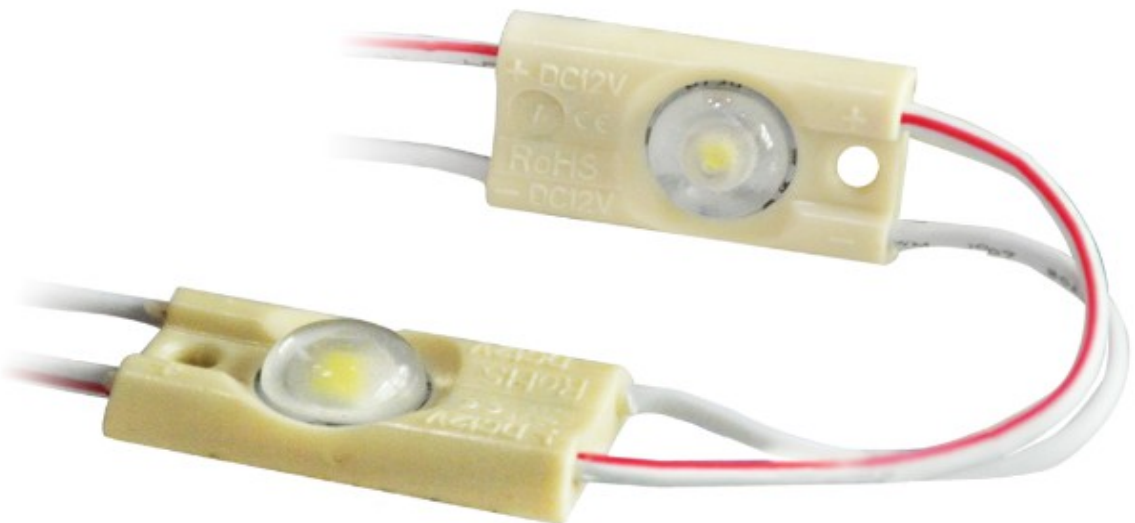
- Built-in lens 160°
- Chain of 50 pcs.
- IP 67 sealed, injection molded
- Internal current stabilization (CC)
- Built-in heat sink plate
- 5 years warranty

## ◆ Usage:

- Letters of light
- Advertising boxes with a depth of 3-10 cm
- POS systems
- Backlighting of furniture

## ◆ Photos:

CE

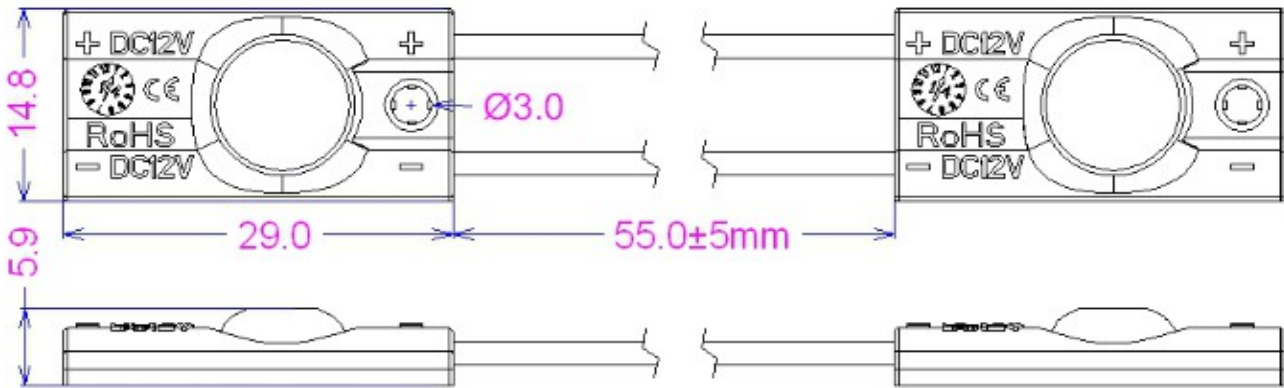




## MW-MLD-2835-1W-LENS

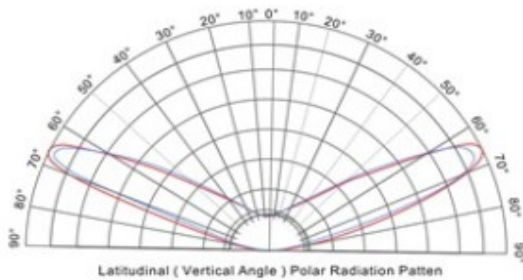
Power	Rated voltage	12Vdc +/- 5%
	Power consumption	0.3W
	Current consumption of one module	0.02A
	Power consumption of chain	15W
LEDs	Dimensions of LEDs	2835
	Number of diodes in module	1
	Color of Light	W-white (6000-8000K)
	Flux	26lm
	Luminous efficacy	80lm/W
	Beam angle	160°
	Lifetime	50K hours
Connection	Soldering	Yes
	Screw and spring clamps	Yes
Wires	Wire length	55 mm
	Wires designation	White & red (+) White (-)
Properties	Protection	IP 67
	Working temperature	-40°C ... 100°C
Dimensions	Height, width, length	5,9 x 14,8 x 29 mm
Montage	Bonding	Yes
	Screwing	Yes
	Hole size	M3
Others	Housing material	ABS
	Number of modules per 1 m	9,5 pcs.
Packing	Chain	50 pcs. (4,2m)
	Bag	-
	Box	-

## ◆ DIMENSIONS:

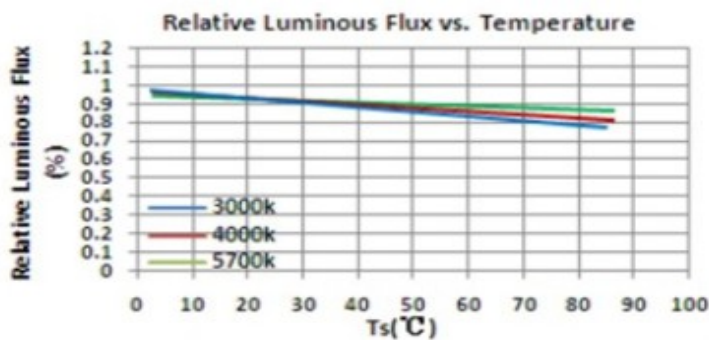


Dimensions: mm

## ◆ LIGHT DISTRIBUTION ANGLE



## ◆ CHANGE OF LUMINOUS FLUX IN RELATION TO TEMPERATURE



## ◆ TABLE OF SELECTION OF MODULES FOR GPV POWER SUPPLIES

Power supply	GPV-12-12	GPV-18-12	GPV-20-12	GPV-35-12	GPV-60-12	GPV-75-12	GPV-100-12	GPV-150-12	GPV-200-12
Number of modules	36	54	60	105	180	225	300	360	600