

◆ Features:

- Built-in lens 160°
- Chain of 20 pcs.
- IP 67 sealed, injection molded
- Internal current stabilization (CC)
- Built-in heat sink plate
- 5 years warranty

◆ Usage:

- Letters of light
- Advertising boxes with a depth of 8-30 cm
- POS systems
- Backlighting of furniture

◆ Photos:

CE





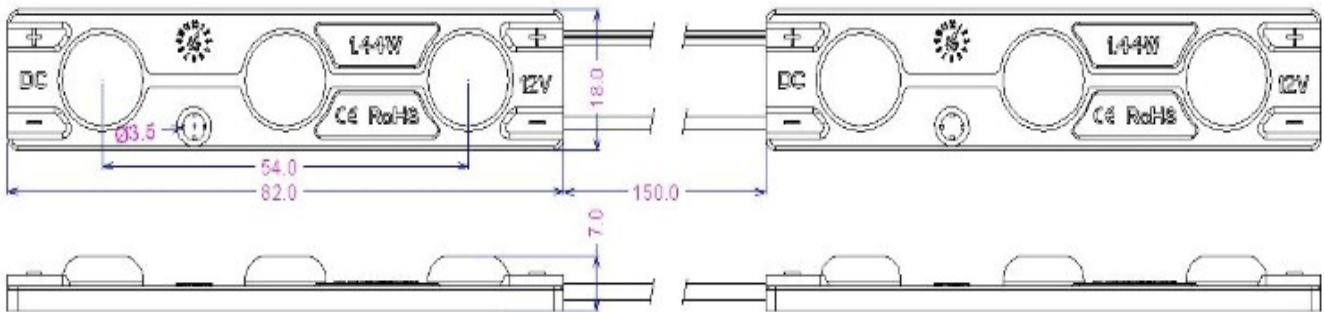
MW-MLD-5730-3W-LENS

Power	Rated voltage	12Vdc +/- 5%
	Power consumption	1.44W
	Current consumption of one module	0.12A
	Power consumption of chain	28,8W
LEDs	Dimensions of LEDs	5730
	Number of diodes in module	3
	Color of Light	W-white (6000-8000K) CW-cold white (10000-14000K)
	Flux	123lm
	Luminous efficacy	85lm/W
	Beam angle	160°
	Lifetime	50K hours
Connection	Soldering	Yes
	Screw and spring clamps	Yes
Wires	Wire length	150 mm
	Wires designation	White & red (+) White (-)
Properties	Protection	IP 67
	Working temperature	-40°C ... 100°C
Dimensions	Height, width, length	7 x 18 x 82 mm
Montage	Bonding	Yes
	Screwing	Yes
	Hole size	M3
Others	Housing material	ABS
	Number of modules per 1 m	4,3 pcs.
Packing	Chain	20 pcs. (4,6m)
	Bag	120 pcs.
	Box	1680 pcs.



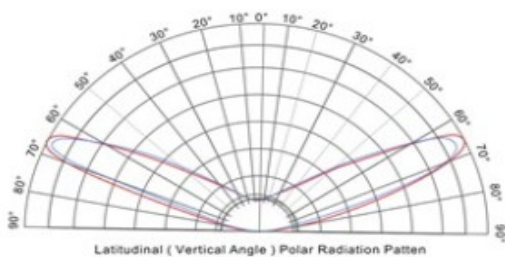
MW-MLD-5730-3W-LENS

◆ DIMENSIONS:

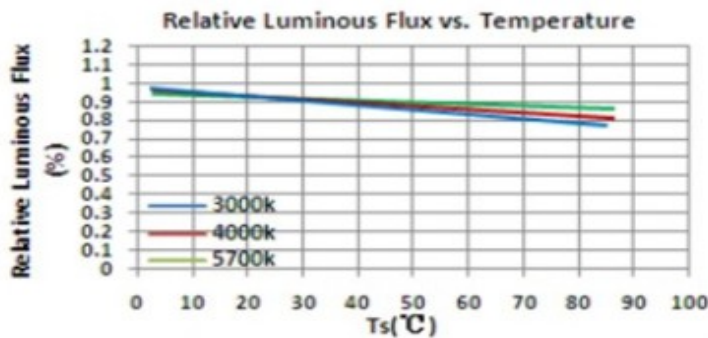


Dimensions: mm

◆ LIGHT DISTRIBUTION ANGLE



◆ CHANGE OF LUMINOUS FLUX IN RELATION TO TEMPERATURE



◆ TABLE OF SELECTION OF MODULES FOR GPV POWER SUPPLIES

Power supply	GPV-12-12	GPV-18-12	GPV-20-12	GPV-35-12	GPV-60-12	GPV-75-12	GPV-100-12	GPV-150-12	GPV-200-12
Number of modules	8	12	13	24	40	50	60	100	130