

◆ **Cechy:**

- For 2-side lightboxes
- Innovative optic design 11 x 75deg lens
- Highest lighting flux,
- Chain 16 szt
- Waterproof IP 67, injection molding
- Constant current drive (CC)
- Diodes by Osram LED
- 7y warranty

◆ **Applications:**

- General signage
- One-side and two-side lightboxes min 2-4m & min depth 12cm

◆ **Photo:**

CE





# BOXSide-OVAL-L-W new generation LED module

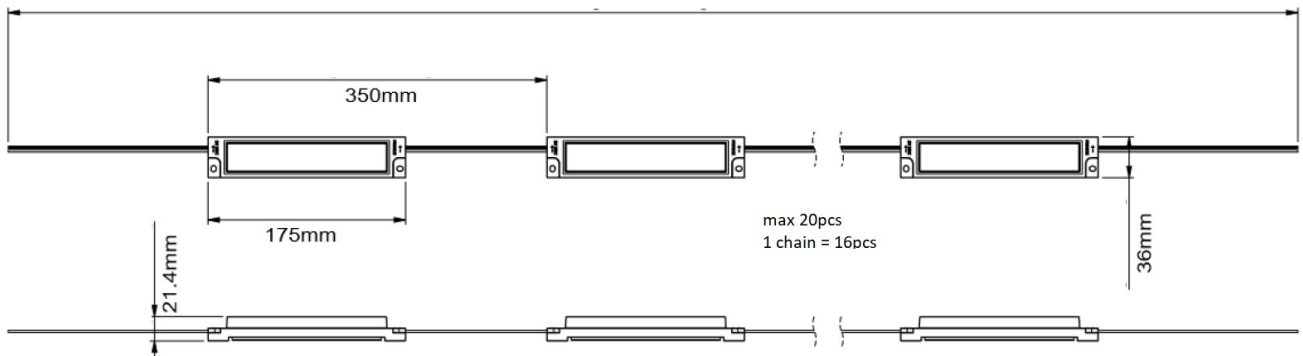
<b>Supply</b>	Rated voltage	24Vdc +/- 5%
	Power consumption per module	7,2W
	Current per 1 module	0.3A
	Chain power consumption	115W
<b>Diodes</b>	LED q-ty	Osram LED
	Colour temp.	W-white (5500-7000K)
	Flux	800 lm
	Flux density	111lm/W
	Lens	11 x 75°
	Lifetime	L70B50 > 70k hrs
<b>Connection</b>	Soldering	Yes
	Screw terminal	Yes
<b>Wires</b>	Wire lenght	175 mm
	Module center lenght	350 mm
	Wires	White-red (+) White (-)
<b>Environment</b>	IP protection	IP 67
	Temperature	Ambient: -25°C ... +55°C Storage: -40°C ... +65°C Max case temp: 75°C
<b>Dimmension</b>	Height, width, lenght	21,4 x 36 x 175 mm
<b>Montage</b>	Adhesive tape	Yes
	Mounting screw	yes
	Hole size	M3
<b>Other</b>	Case material	ABS
	Q-ty per meter	3pcs
<b>Packing</b>	Chain	16pcs (5,6m)
	Cartoon box	112pcs (7 chains)



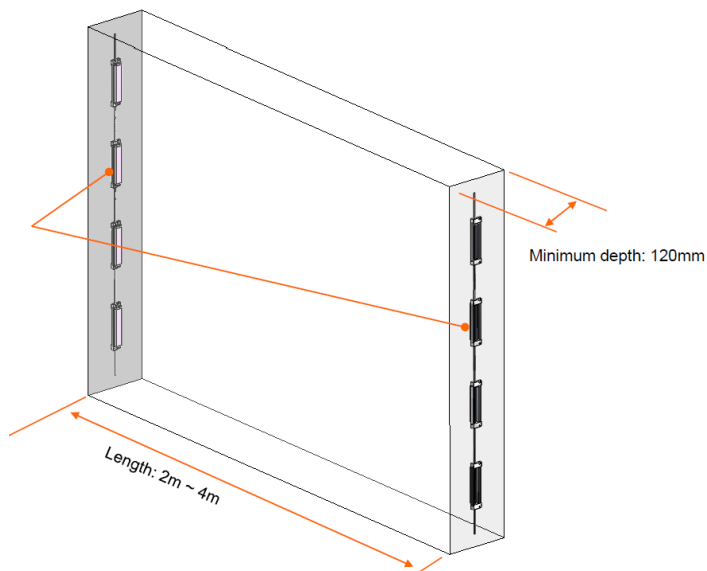
# BOXSide-OVAL-L-W new generation LED module

## DIMMENSION:

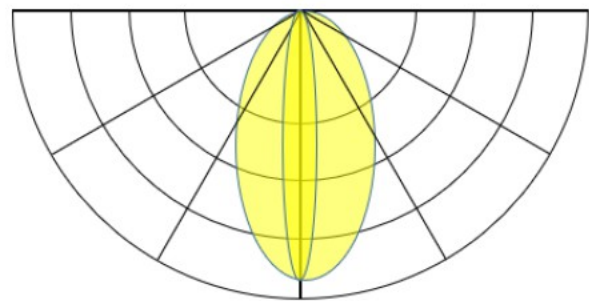
Unit: mm



## ◆ TYPICAL APPLICATION



## ◆ BEAM ANGLE



11° x 75°