

◆ Features:

- Built-in lens 160°
- Chain of 50 pcs.
- IP 67 waterproof, injection molded
- Internal current stabilization (CC)
- Built-in heat sink plate
- 5 years warranty

◆ Applications:

- Channel letters

◆ Photos:

CE

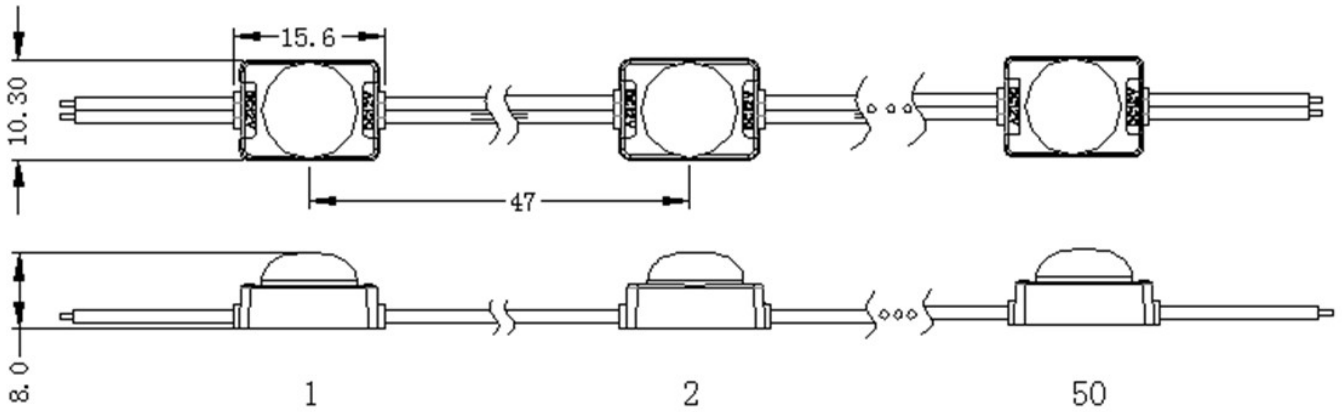




MW-MLD-MINI-1W-LENS160

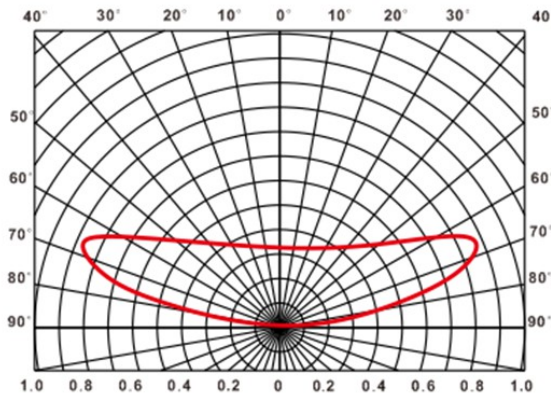
Power	Rated voltage	12Vdc +/- 5%
	Power consumption	0,3W
	Current consumption of one module	0.025A
	Power consumption of chain	15W
LEDs	Dimensions of LEDs	2835
	Number of diodes in module	1
	Color of Light	W-white (6000-8000K) typ. 7000K
	Flux	30lm
	Luminous efficacy	88lm/W
	Beam angle	160°
	Lifetime	50K hours
Connection	Soldering	Yes
	Screw and spring clamps	No
Wires	Wire length	32 mm
	Wires designation	White & red (+) White (-)
Properties	Protection	IP 67
	Working temperature	-25°C ... 55°C
Dimensions	Height, width, length	8 x 15,6 x 10,3 mm
Montage	Bonding	Yes
	Screwing	Nie
	Hole size	none
Others	Housing material	ABS
	Number of modules per 1 m	22 pcs.
Packing	Chain	50 pcs. (2,35m)
	Bag	400 pcs
	Box	2800pcs

◆ DIMENSIONS :



Dimensions: mm

◆ LIGHT DISTRIBUTION ANGLE



◆ TABLE OF SELECTION OF MODULES FOR GPV POWER SUPPLIES

Power supply	GPV-12-12	GPV-18-12	GPV-20-12	GPV-35-12	GPV-50-12	GPV-60-12
Number of modules	36pcs	54pcs	72pcs	108pcs	150pcs	180pcs
Power supply	GPV-75-12	GPV-100-12	GPV-120-12	GPV-150-12	GPV-200-12	
Number of modules	225pcs	300pcs	360pcs	450pcs	600pcs	