

HQS-5050-30LED-7.2W-RGBW-24V series

Professional LED strip LED 24V, 7.2W/m



- Applications:
- Curve line lighting
 - Freeze lighting
 - Light bar applications

■ Features:

- 2oz thickness FPC(Flexible Printed Circuit)
- Can be cut every 5cm segment(3 LEDs in segment)
- Each segment with couple pads for secondary operation
- Enhanced 5050 LEDs
- Easy installation with 3M adhesive tape

© MODEL ENCODING

HQS	-	5050	-	30 LED	-	7.2W	-	RGBW	-	24V
Series	-	LED Chip	-	Led/m	-	Power per 1m	-	Led Color Temperatura	-	Voltage

© ELECTRICAL SPECIFICATION

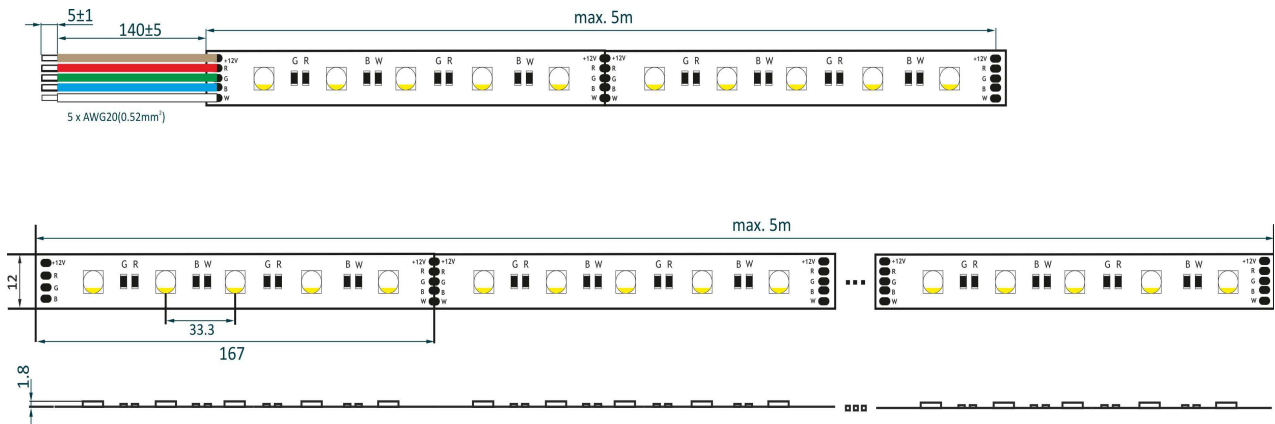
MODEL	HQS-5050-60LED-19.2W-RGBW-24V			
Chip	5050			
Supply voltage	24V ± 0.5VDC			
Current and Power per 1m	300mA; 7.2W			
Current and Power per reel (5m)	1.5A; 36W			
CCT (Correlated Color Temperature) / Wavelength	R : 620nm ÷ 630nm	G : 520nm ÷ 530nm	B : 460nm ÷ 470nm	W : 2800K ÷ 3500K
Stream of light	4.17lm ÷ 6.25lm / W	15.30lm ÷ 20.84lm / W	5lm ÷ 6.25lm / W	23.61lm ÷ 29.17lm / W
Maximum length for one sided supply	5m			
IP protection degree	IP33			
Working and storage temperature	-25°C ÷ +50°C; -25°C ÷ +60°C			
Cut Section	167mm			
Connection wire	2xAWG20(0.52mm ²) stranded wire, length = 140mm; V+: red; V-: black			
Dimensions (L * W * H)	5000 * 12 * 1.8mm			
Packing	5m/roll(bag); 40pcs/ctn; ctn dimensions: 45x25x25.6cm			

HQS-5050-30LED-7.2W-RGBW-24V series

Professional LED strip LED 24V, 7.2W/m



© MECHANICAL SPECIFICATION



© SUPPLY

© Strip length < 5m

