

HQS-5050-60LED-14.4W-RGB-24V series

Professional LED strip LED 24V, 14.4W/m



- Applications:
- Curve line lighting
 - Freeze lighting
 - Light bar applications

■ Features:

- 2oz thickness FPC(Flexible Printed Circuit)
- Can be cut every 5cm segment(3 LEDs in segment)
- Each segment with couple pads for secondary operation
- Enhanced 5050 LEDs
- Easy installation with 3M adhesive tape

◎ MODEL ENCODING

HQS	-	5050	-	60 LED	-	14.4W	-	RGB	-	24V
Series	-	LED Chip	-	Led/m	-	Power per 1m	-	Led Color Temperatura	-	Voltage

◎ ELECTRICAL SPECIFICATION

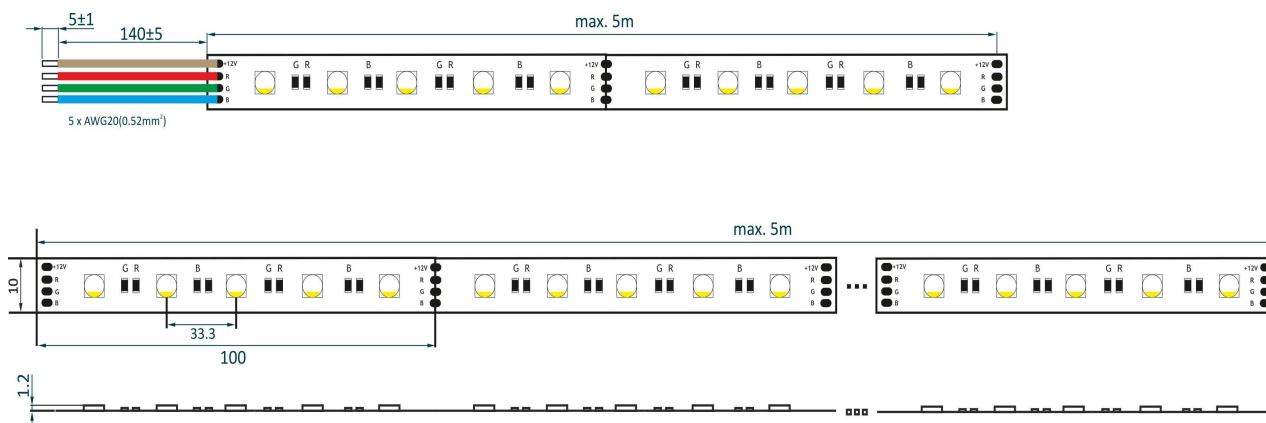
MODEL	HQS-5050-60LED-14.4W-RGB-24V		
Chip	5050		
Supply voltage	24V ± 0.5VDC		
Current and Power per 1m	600mA; 14.4W		
Current and Power per reel (5m)	3A; 72W		
CCT (Correlated Color Temperature) / Wavelength	R : 620nm ÷ 630nm	G : 520nm ÷ 530nm	B : 460nm ÷ 470nm
Stream of light	6.94lm ÷ 7.98lm / W	15.3lm ÷ 16.6lm / W	3.96lm ÷ 4.65lm / W
Maximum length for one sided supply	5m		
IP protection degree	IP64		
Working and storage temperature	-25°C ÷ +50°C; -25°C ÷ +60°C		
Cut Section	100mm		
Connection wire	2xAWG20(0.52mm ²) stranded wire, length = 140mm; V+: red; V-: black		
Dimensions (L * W * H)	5000 * 10 * 1.2mm		
Packing	5m/roll(bag); 50pcs/ctn; ctn dimensions: 45x25x25.6cm		

HQS-5050-60LED-14.4W-RGB-24V series

Professional LED strip LED 24V, 14.4W/m



© MECHANICAL SPECIFICATION



© SUPPLY

© Strip length < 5m

